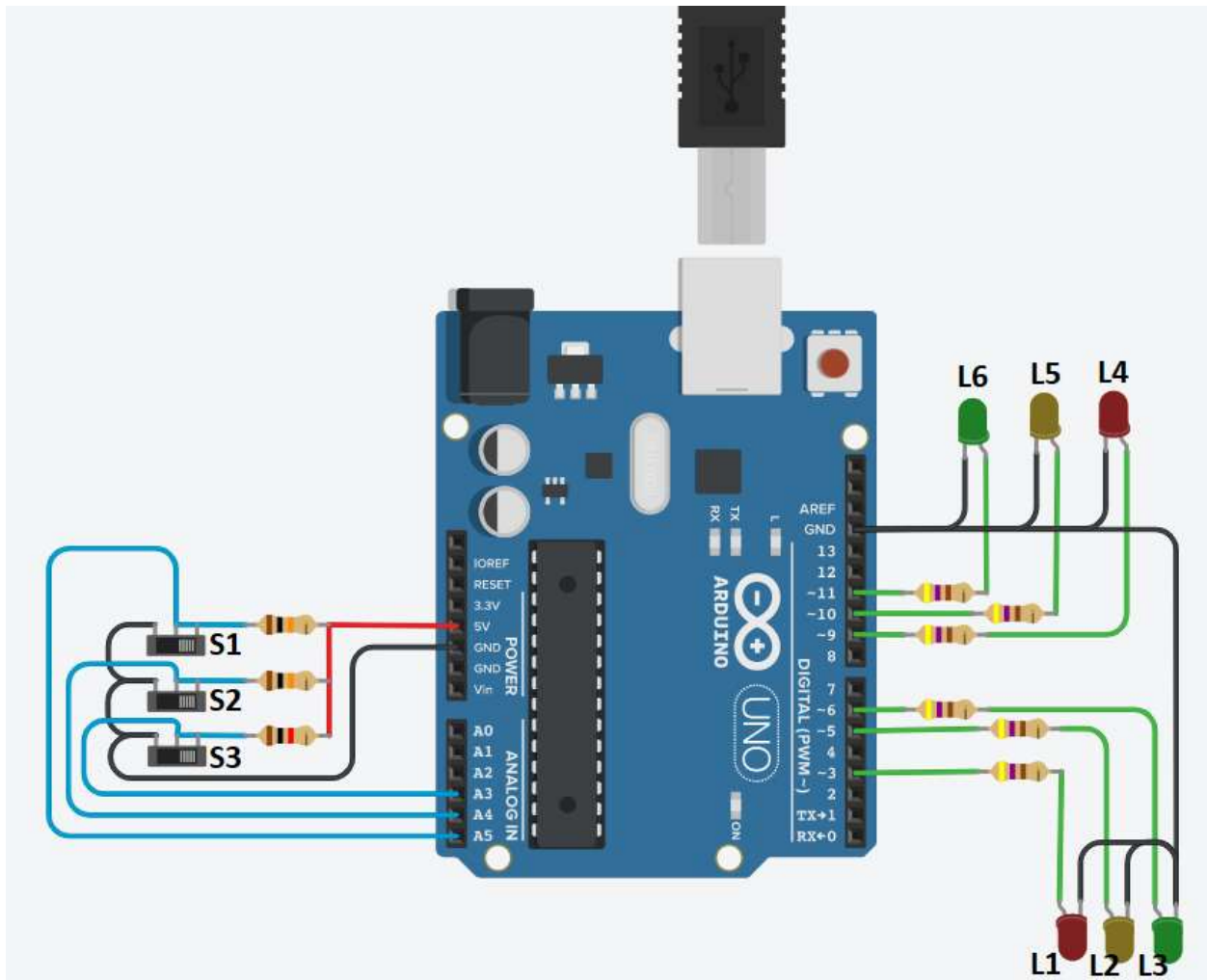


ARXD19 Schematic and I/O Table



Designator	Description	Arduino Pin	Configuration
S1	Switch #1	A5	INPUT
S2	Switch #2	A4	INPUT
S3	Switch #3	A3	INPUT
L1	Red LED	3	OUTPUT
L2	Yellow LED	5	OUTPUT
L3	Green LED	6	OUTPUT
L4	Red LED	9	OUTPUT
L5	Yellow LED	10	OUTPUT
L6	Green LED	11	OUTPUT